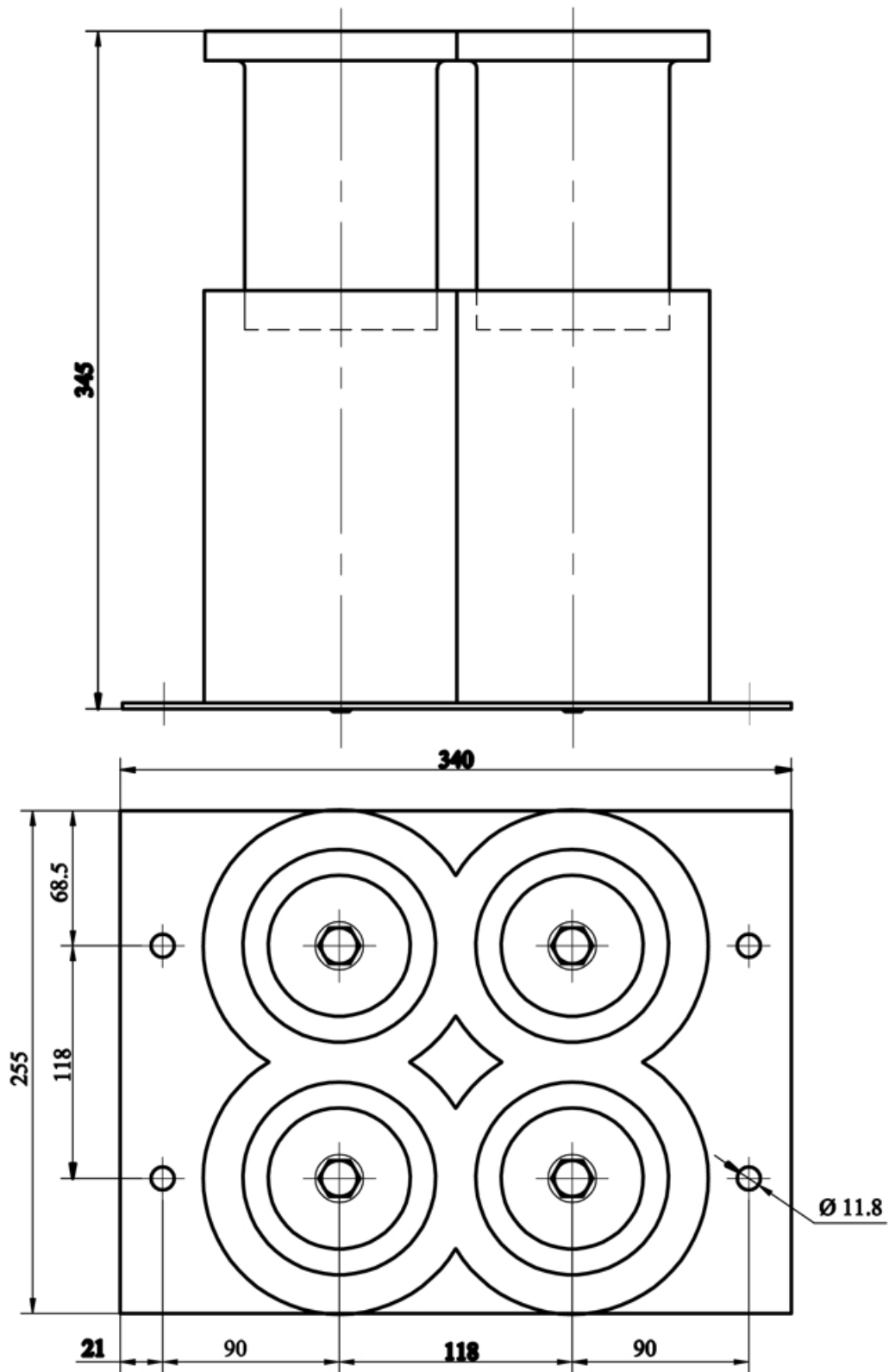




Sky-640



HMT 4-1	1056 kg - 1690 kg	$v_n \leq 1.0$ m/s
HMT4-2	1520 kg - 2434 kg	$v_n \leq 1.0$ m/s